

A complete product range
for effective surface cleaning

simply great sweepers

Bucher Municipal

a strong partner at your side

Bucher Municipal is a world-leading manufacturer of municipal vehicles for street cleaning and snow removal in public and private areas. Bucher Municipal stands for high-quality products and service excellence, as well as innovation, competency, reliability and sustainability. Our vehicles incorporate technically advanced solutions focusing on high performance, ease of use, low maintenance and cost-effective operation.

Bucher Municipal takes its responsibility towards society and the environment seriously. Our mission is to ensure that roads and private or public spaces are kept clean and safe. Bucher Municipal implements this mission by focusing on functional engineering, environmental integrity and driving comfort. Bucher Municipal has a worldwide sales and service network to ensure that it can offer service excellence close to its customers.



simply great sweepers

A complete product range for effective surface cleaning Our sweeper product range extends from narrow, agile compact sweepers (1 m³) to wide-reach, heavy-duty sweepers (8 m³) mounted on truck chassis made by leading vehicle manufacturers. All the standard models and customised solutions are designed, tried and tested to provide cost-effective street cleaning.

Maximum standardisation All commercial components fitted to vehicles are from leading manufacturers and are chosen to ensure that they are perfectly matched. Components are only changed in series production in compliance with strict guidelines in order to ensure the maintenance of the highest possible level of standardisation. This reduces operating costs. It enables the drafting of seamless and detailed technical documentation for vehicles. It guarantees the availability of spare parts over a longer period of time.

Online product and service documentation Product and service documentation can be accessed rapidly online by simply entering the vehicle serial number. This makes troubleshooting easier and cuts downtime for sweeping vehicles to the minimum. Online images, photos, diagrams and comprehensive assembly drawings assist rapid troubleshooting.

Ecological Our vehicles recycle most of the water they use. This reduces the need for mains water top-ups thereby reducing environmental impact. Special dirt-repellent paintwork ensures low maintenance costs and a long service life for sweeping vehicles. The bio-oil used ensures that lubricants degrade quickly in an environmentally friendly manner. Our products are characterised by long service lives and high energy efficiency. At the end of their working life these vehicles are recyclable virtually 98%.

Reduced emissions PM10 3-star certification by EUnited Municipal Equipment. Noise when sweeping ≤ 98 db (A). Intelligent load sensing automatically reduces engine output thereby reducing noise and exhaust emissions to the minimum. It saves fuel, too. On sweeping vehicles, the automatically optimised brush adjustment to road surfaces, kerbs and pavements reduces environmental impact and operating costs. Bucher Municipal is the world's first manufacturer to offer an entire fleet of low-emission, Euro 6 compliant compact and truck-mounted sweepers from 2 to 8 m³ hopper volume. The availability of low-emission municipal vehicles which meet this standard makes it possible for purchasers to make an environmentally aware, sustainable investment.

Safety Bucher Municipal sweepers offer the highest level of safety for drivers and the environment. Standardised FMEA analyses ensure component safety. Driver safety is ensured by compliance with the strictest safety standards for cabs (Tip-Over Protection Structure [TOPS] as per the BS EN13510:2001 standard).

Professional service The global success of Bucher Municipal is based on the wide coverage of its customer-oriented sales network which provides expert specialist advice, both pre-sales and after-sales. Our service concept starts right from the design stage. Here, customer requirements are incorporated into vehicle design thus also facilitating the production of customised solutions. Bucher Municipal is renowned for the expertise and reliability of its customer assistance service. Our employees receive induction and in-service training to ensure that we build, maintain and improve our expertise. This expertise is backed up by an efficient spare parts service which offers high availability levels and long-term availability.

Euro 6 emission standard Almost all of market leader Bucher Municipal's current models can be fitted with an engine conforming to the stringent Euro 6 standard. Bucher Municipal testifies to their low-emission, environmental performance with the distinctive logo on its compact and truck-mounted sweepers.

Total Cost of Ownership Bucher Municipal pursues with determination in the development of sweepers the goal of reducing overall running costs (TCO). The Bucher trademark stands, among other things, for efficiency. This particular determination can be seen in the development of the new Euro 6 sweepers from Bucher Municipal. Our pursuit of this goal and subsequent achievement is best exemplified by the fact that Bucher Municipal sweepers now have a service interval of up to 1,000 operating hours.

High availability of spare parts The availability of spare parts is guaranteed for a period of at least ten years after the sweeper has left production.

Certified quality – high cost-effectiveness The mission of the quality system at Bucher Municipal is to provide equipment with continuous availability, a long life cycle and low maintenance costs. This means that the equipment remains the most cost-effective solution throughout its entire life cycle. It goes without saying that the Bucher Municipal competence centres are certified to ISO 9001:2008 standard.

Comprehensive sales and service network The Bucher Municipal sales and service network can also rely on regional dealerships providing excellent local support services close to customer sites. (Global partners: www.buchermunicipal.com/sweepers)

E-shop Registered users can access our online spare parts shop 24/7. Here, users can quickly and accurately identify the spare part they need and then submit an order online. The shop also provides information about prices, real-time availability and special offers. In the interests of safety, proper fit and function at all times, we only use original spare parts.

- **Spare parts catalogue** Spares, consumables and wear parts are clearly listed and shown as service and wear part kits for all Bucher Municipal products. This means that it is no longer necessary to spend hours searching for individual items. Ordering is quick and easy. A click of the mouse button is all it needs.
- **Availability of spare parts** The availability of all original Bucher Municipal spare parts at the spare parts store is stated in real time with the effective quantities. When an order is made the delivery note is printed out immediately in the spare parts logistics centre. This starts the pick, pack and ship process. E-shop customers can view the status of their orders online at any time by calling up the order history. Spare parts are shipped overnight and delivery takes place the following morning.

Professional service

Owners of Bucher Municipal products feel safe in the knowledge that they have purchased a quality product and a full range of reliable support services.

Customer support Our mission is to provide a first-class, high-quality range of services. We maintain a global and local presence with a wide-reaching network of competence centres and dealerships. Experienced and expert customer service staff handle enquiries quickly and efficiently in the language of the caller.

Regular maintenance for reliable operation Regular servicing is essential to ensure a long, efficient service life for your vehicle. This is why Bucher Municipal offers individual maintenance contracts for all of its vehicles. Service intervals can be based on the number of operating hours or on scheduled maintenance intervals. You not only receive particularly good conditions. We will also provide a complete schedule of maintenance tasks such as regular inspections, oil changes and battery checks. Of course the schedule will be agreed with you beforehand. No need to worry. We take care of everything leaving you free to concentrate on your business.

Rapid return to service Short troubleshooting times and the rapid return to full service of your vehicle are our guiding principles. In the ideal situation your fleet is protected by regular maintenance and servicing by Bucher Municipal or its partners. If your sweeper unexpectedly breaks down, no worries. A Bucher Municipal or partner service technician will be on-site almost immediately. Our multilevel spare parts system ensures that the spare part required is usually available locally so that a repair can be performed immediately. Other spare parts required can be ordered online from the Bucher Municipal e-shop. It couldn't be quicker. Our advanced logistics centre has over 30,000 original spare parts permanently in stock. We can therefore ensure the availability of 98% of spare parts. This means that vehicle downtime due to the non-availability of a spare part is practically non-existent. We only use original Bucher Municipal spare parts. This is your guarantee that your vehicle will stay safe and cost-effective and maintain its resale value. It also protects your warranty rights.

Training Technical expertise is required to correctly and cost-effectively operate and manage Bucher Municipal vehicles. Our training courses facilitate the transfer of knowledge to your company. The induction, servicing and repair training courses are tailored to customer requirements and conducted by qualified and experienced customer service trainers.

Simply great sweepers Technically advanced solutions providing high performance, operator comfort and cost-effectiveness.

Innovation Identifying customer requirements. Developing products. Implementing new ideas. These three factors are very important for Bucher Municipal. This is how we recognise trends in new technology, how we develop future-oriented ideas and applications and how we ensure short lead times to market. We maintain our position as innovation leader through the use of the latest technology, extensive knowledge of the market and leading-edge expertise.

Competency Bucher Municipal is a well-established company with a decades-long history as a successful machinery builder. At our headquarters in Niederweningen (CH) we manufacture premium compact and truck-mounted sweepers for a wide variety of applications for the cleaning of public and private areas. Our many years of experience mean that we have the extensive know-how and wide-ran-

ging expertise needed to take technically advanced solutions from the drawing board to the street.

Reliability Bucher Municipal sweepers are renowned for their excellent reliability. Quality is the top priority throughout the entire manufacturing process. Years of development experience. The purchase and manufacture of premium components. Reliable operating systems. Precision component assembly. Comprehensive quality control. These are just some of the features which set Bucher Municipal sweepers apart from the competition.

Sustainability Bucher Municipal employs a holistic approach to environmental matters throughout all company areas. Our thought and actions regarding the environment are guided by the principle of sustainability.

Our quality requirement



Bucher Municipal e-shop The Bucher Municipal e-shop is open around the clock. Spare parts are shipped overnight and delivery takes place the following morning.



Spare parts Original Bucher Municipal spare parts ensure safety, precise fit and functionality at all times.



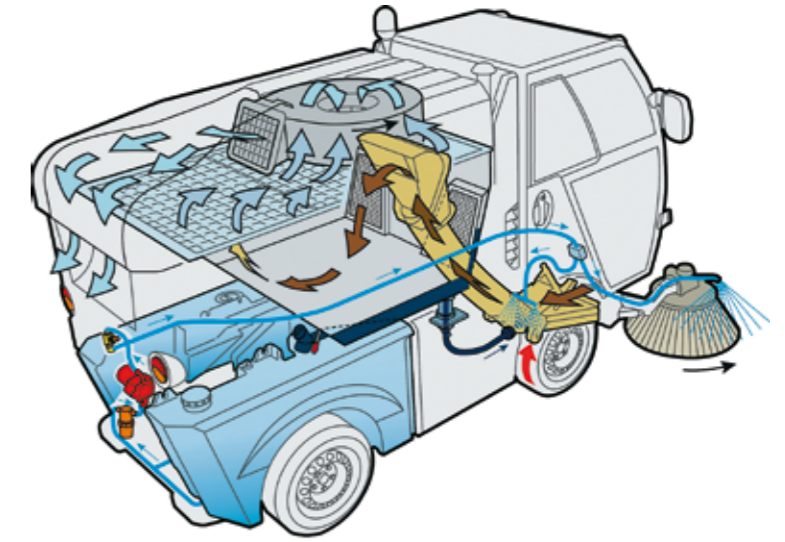
Customer support Increased efficiency as a result of better advice. Experienced and expert customer service staff handle enquiries quickly and efficiently in the language of the caller.

CityCat 1000: advanced technology for confined spaces



The CityCat 1000 is the product of years of experience in developing and manufacturing compact sweepers for professional applications. With its narrow frame, this compact sweeper is the ideal solution for cleaning all confined spaces and areas with limited access. It is also the perfect machine for sweeping larger premises, car parks, shopping centres, factory sites and housing estates. Needless to say, another of its strengths is cleaning urban environments with cramped pavements and narrow streets like those in traffic-calmed residential areas.

Functional diagram for the CityCat 1000 This diagram shows the flow of air from the suction nozzle through the hopper and out through the exhaust duct on the hopper roof. A water pump feeds fresh water to the spray jets fitted to the sweeping brushes and the suction nozzle. The used water is filtered and then fed to the suction nozzle to ensure optimum dust suppression.



Full standard equipment

Comprehensive range of accessories

A range of optionals is available – contact us for more information.



Impact-protected brushes The brushes can be extended individually on both sides with stepless adjustment. Brush pressure is fully adjustable and controlled from the driver's cab.



Simple, comfortable operation Panoramic glazing and a curved windscreen provide a wide field of vision, giving a full view of the road and work area. The vehicle is simple to operate using the steering wheel, foot pedal and two convenient joysticks for operating the front brushes.



Low-emission, easy-to-maintain engine The CityCat 1000 is powered by an environment-friendly, high-torque diesel engine. The service interval for the oil-cooled engine is approximately 1,000 hours.



High-pressure water system The high-pressure water lance is ideal for cleaning walls, stairs, railings and bus shelters thoroughly and quickly.



Four-wheel steering Four-wheel steering offers the maximum directional stability and manoeuvrability. The turning circle is less than 4 meters.



Wanderhose The exceptionally lightweight and flexible suction hose enables leaves and other debris to be picked up effortlessly from those hard-to-reach places.



Service panels with magnetic closures The service panels located at front and rear of the vehicle feature magnetic closures for easy opening and quick access.



Hopper with water recirculation The stainless steel hopper has the largest capacity in its class. The water recirculation system results in drier loads and extends service times.



Impact-protected suction nozzle Supported by castor wheels, the suction nozzle is located between the front wheels and fitted with water spray jets. A special mounting allows it to ride over obstacles without damage to the nozzle.



Air conditioning and drinks cooler The air-conditioned driver's cab with integrated drinks cooler provides a pleasant working environment.



Suction nozzle and reversing camera system The reversing camera provides improved visibility and reduces the risk of collision with obstacles or other road users during daily operation. The suction nozzle camera enables improved inspection of the suction nozzle intake.



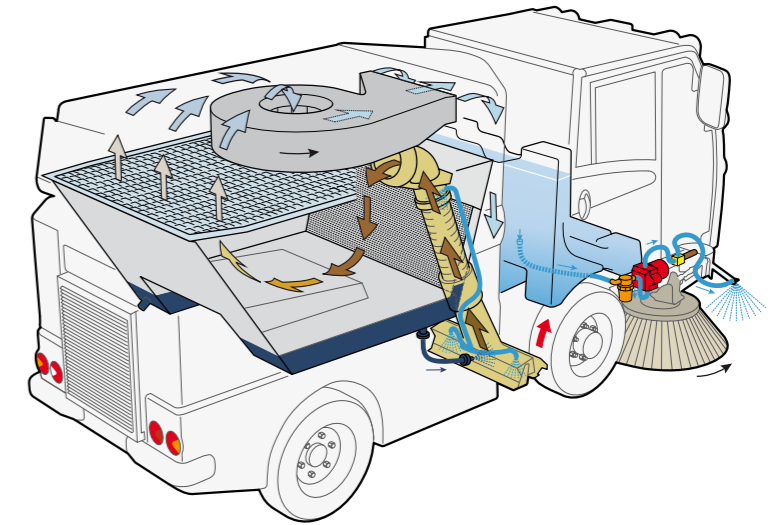
Snow plough and salt spreader The snow plough is used to clear snow from roads and footpaths. The salt spreader can be operated at the same time to provide a full, cost-effective winter service.

CityCat 2020: the agile compact sweeper



Thanks to a low-polluting diesel engine with AdBlue and exhaust gas after-treatment system, the 2 m³ compact sweeper meets the stringent Euro 6 emission standard. Tried-and-true articulated steering provides exceptional agility, manoeuvrability and maximum directional stability, allowing the driver to concentrate fully on sweeping without worrying about manoeuvring. Articulated steering combined with the front brush means that the vehicle can efficiently and cost-effectively clean everything from the narrowest of passages to the largest of areas. The innovative control system displays all the operating information in a simple and clear form on the centrally mounted screen. The cab of the new CityCat 2020 offers an invitingly high level of comfort as well as exceptionally low noise and vibration values. With a noise level of just 98 dB (A) this corresponds to half of the perceived volume of comparable models.

Functional diagram for the CityCat 2020 This diagram shows the flow of air from the suction nozzle through the hopper and out through the exhaust duct above the articulated steering joint. A water pump feeds fresh water to the spray jets fitted to the sweeping brushes, the suction nozzle and the suction pipe. The used water is filtered and then fed to the suction nozzle to ensure optimum dust suppression.



Full standard equipment

Comprehensive range of accessories

A range of optionals is available – contact us for more information.



Impact-protected suction nozzle The wide, cast aluminium suction nozzle is suspended on a floating mechanism between the front wheels. A tilting mechanism allows it to ride over obstacles without damage to the nozzle.



PSS – exclusive to Bucher Municipal The Programmable Sweeping System (PSS) displays all relevant information about the vehicle's operating parameters on a clear screen and memorises frequently used application configurations.



Articulated steering – maximum manoeuvrability Another advantage of articulated steering is increased manoeuvrability. With this system, the suction nozzle always faces in the direction of travel, giving a clean sweep without leaving unsightly dirt streaks behind.



High-pressure water system The high-pressure water lance is ideal for cleaning walls, stairs and railings. The lance facilitates the efficient cleaning of bus shelters.



Air-conditioning system The air-conditioned driver's cab ensures a pleasant working environment.



Wanderhose The exceptionally lightweight and flexible suction hose enables leaves and other debris to be picked up effortlessly from those hard-to-reach places.



Load-sensing system The unique load-sensing system ensures that the hydraulic pumps convey only the volume flow for all active consumers. (Reduces diesel consumption)



Hopper with water recirculation The stainless steel hopper features a large filter screen and an integrated water recirculation system. This ensures exceptionally long service runs and enables environment-friendly cleaning.



Ergonomic and safe operation The vehicle is simple to operate using the steering wheel, foot pedal and easy-to-use joystick. All joystick functions are self-explanatory and intuitive to use. (Mobile phone storage, drinks holder, etc.)



Weed brush The weed brush is the environmentally friendly solution for uprooting and sweeping up weeds in a single pass without the use of noxious chemicals.



Suction nozzle and reversing camera system The reversing camera provides improved visibility and reduces the risk of collision with obstacles or other road users during daily operation. The suction nozzle camera enables improved inspection of the suction nozzle intake.



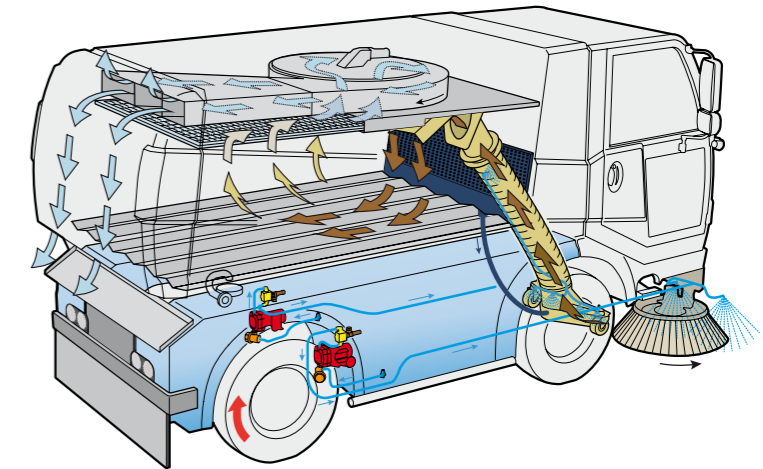
Snow plough and salt spreader Snow can be cleared with the snow plough or the roller brush. The salt spreader can be operated at the same time to provide a full, cost-effective winter service. Salt can be carried in the hopper.

CityCat 5006: service package in the compact class



The CityCat 5006 compact sweeper represents a milestone for compact sweepers due to its exceptional basic construction and its pioneering technology. With its powerful 118 kW diesel engine with AdBlue additive and exhaust gas after-treatment system, the CityCat 5006 compact sweeper fulfils the stringent requirements of the Euro 6 emission standard. Thanks to the high suction power, large hopper and an enormous water supply, the service package sets new standards when it comes to performance and range. This machine offers operators great driving and user comfort. The large cab, which can be fitted with three seats on request, has generous windows which offer a good view ahead and of the side brushes. The compact external measurements and selectable four-wheel steering give the vehicle superb manoeuvrability and guarantee maximum stability and active safety at all times during daily service runs.

Functional diagram for the CityCat 5006 This figure shows the flow of air from the suction nozzle through the hopper and out through the exhaust duct at the back of the vehicle. Two water pumps feed fresh water to the spray jets fitted to the sweeping brushes, the suction nozzle and the suction pipe. The used water is filtered and then fed to the suction nozzle to ensure optimum dust suppression.



Full standard equipment



Low-emission engine The smooth-running, high-torque Iveco Euro 6 diesel engine with extremely low fuel consumption and emission levels allows exceptionally reliable and economical operation.



High-efficiency drive system The control concept employed on the diesel engine is designed to optimise fuel consumption and reduce noise emissions without making any compromises in performance. This means fuel savings of up to 30% and reductions in noise levels of 20% in comparison with previous models.



Four-wheel steering Four-wheel steering makes the Bucher CityCat 5006 extremely manoeuvrable and stable in operation. It provides the ideal combination of active safety and ride comfort.

Full standard equipment / Comprehensive range of accessories

A range of optionals is available – contact us for more information.



Large 7-inch central display Thanks to the diagnostics system, the 7-inch central display provides easy access to all relevant machine data such as total running time and working hours, operational and road travel, fuel consumption, etc.



Steel pipes Rust-free hydraulic lines guarantee a long service life with low maintenance costs and minimal fault potential: The CityCat 5006 contains 60% fewer hydraulic hoses than conventional sweepers.



High dump (option) The high dump feature means that raising the hopper allows the debris to be tipped into large containers, skips or directly into refuse collection vehicles. This dramatically increases efficiency.



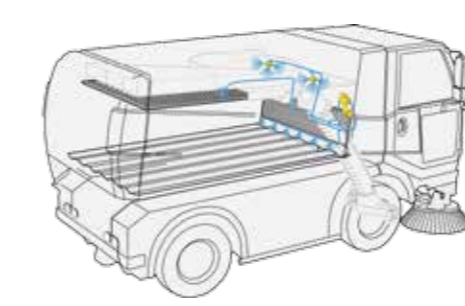
High-capacity fresh water tank The high-capacity fresh water tank holds approximately 880 litres of water and thus ensures long service times.



Hopper The stainless steel hopper boasts a huge payload capacity. This enables exceptionally long sweeping distances and very high fill levels.



Convenient operation All the controls for work functions – including the joysticks for the front and side brushes – are to the right of the driver's seat and can be operated with one hand. The user interface is unique.



EasyClean System (option) The operator simply activates the EasyClean self-cleaning function. The blower, filter screen, dirty water tank, side walls and other difficult to reach pockets of dirt are then sprayed by the cleaning nozzles. The machine is perfectly clean within a couple of minutes.



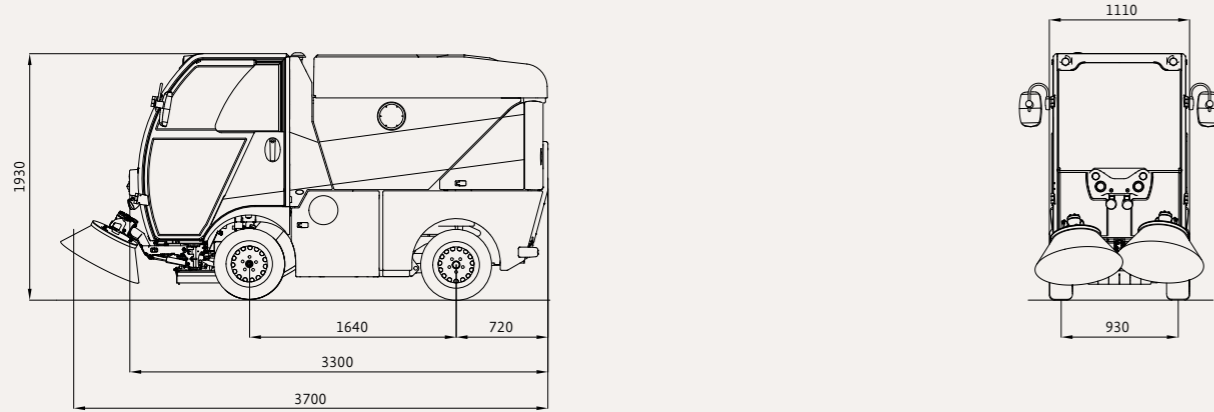
Individual lifting of side brushes (option) With just the touch of a button on the control panel, the left or right side brush can be lifted if only one side is required. This protects the brushes from unnecessary wear.



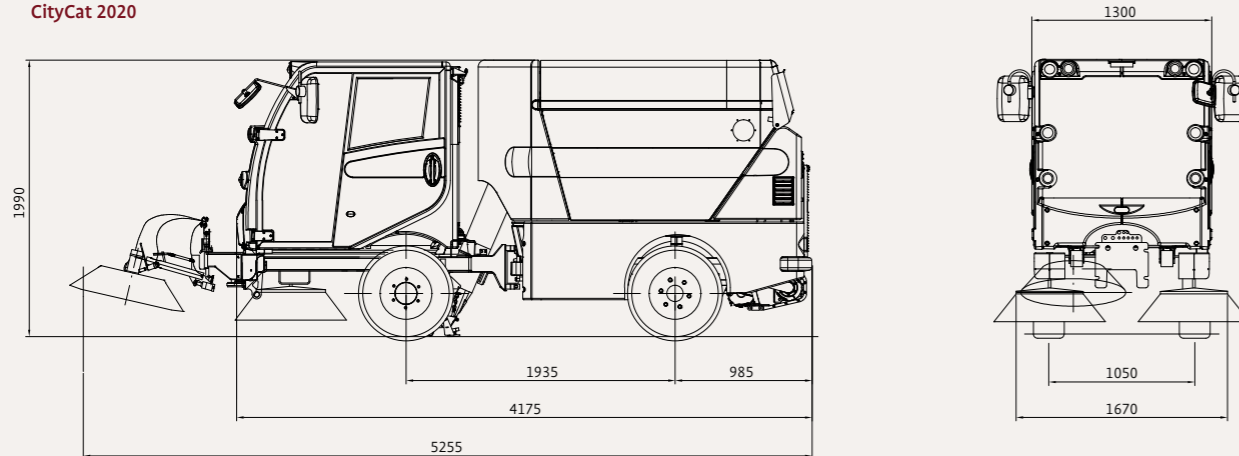
Street wash system (option) Ample pressure allows market squares, building sites and pedestrian zones to be washed down and left spotlessly clean. This system uses the large debris hopper as a water tank.

Dimensions of Compact Sweepers

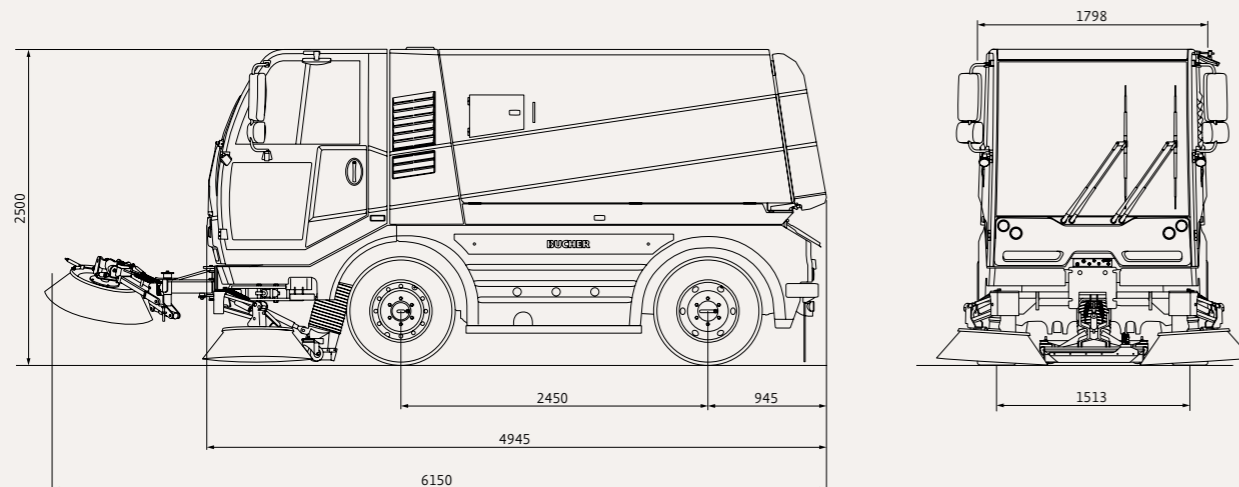
CityCat 1000



CityCat 2020



CityCat 5006



Overview of Compact Sweepers

Dimensions	CityCat 1000	CityCat 2020	CityCat 5006
Length	3300 mm	4175 mm	4945 mm
Width	1110 mm	1300 mm	1798 mm
Height	1930 mm	1990 mm	2500 mm
Wheelbase	1640 mm	1935 mm	2450 mm
Track front / rear	930 mm / 930 mm	1050 mm / 1060 mm	1513 mm / 1513 mm
Turning radius	2000 mm	3750 mm	2900 mm

Weight

Kerb weight	1800 kg	2950 kg	5500 kg
Payload	600 kg	1550 kg	5000 kg
GVW	2400 kg	4500 kg	10500 kg

Engine

Manufacturer	Deutz	VM Motori	FPT, Iveco diesel engine
Type	D2011 L03i	R754EU6 / R754ISE4 / D75TE3	NEF 45 ENT 6
Displacement	2330 cm ³	2970 cm ³	4485 cm ³
Output	31.2 kW	62 kW / 55 kW / 54 kW	118 kW
Torque	137 Nm	270 Nm / 310 Nm / 255 Nm	580 Nm
Exhaust class	Stage 3 A	Euro 6 / Stage 3 B / Stage 3 A	Euro 6 / Stage 3 A
Speed	0 – 25 km/h	0 – 50 km/h	0 – 50 km/h
Fuel tank	50 l	70 l	110 l

Vehicle drive

Drive system	Hydrostatic / infinite	Hydrostatic / infinite	Hydrostatic / infinite
System manufacturer	Bosch-Rexroth	Sauer-Danfoss	Bosch-Rexroth
Drive axle	front	front	rear
Gradeability up to	30 %	30 %	30 %

Hopper

Hopper volume	1.0 m ³	2.0 m ³	5.6 m ³
Discharge height	1350 mm	1350 mm	930 mm
Discharge height (high dump version)	–	–	1550 mm
Discharge angle	84°	94°	51°

Sweeping system

Brush	Ø 700 mm	Ø 800 mm	Ø 900 mm
Brush speed	0 – 100 RPM	0 – 150 RPM	0 – 150 RPM
Max. sweeping path with 2 brushes	2200 mm	2070 mm	2533 mm
Max. sweeping path with 3 brushes	–	2660 mm	3520 mm

Suction system

Suction nozzle width	600 mm	600 mm	800 mm
Suction nozzle material	Stainless steel	Aluminium casting	Stainless steel
Wander hose	Ø 180 mm	Ø 200 mm	Ø 250 mm

Water system

Fresh water tank	220 l	300 l	880 l
Used water tank	70 l	130 l	Direct system
High-pressure water system	11 l/min @ 100 bar	11 l/min @ 120 bar	30 l/min @ 100 bar
Water flow control	Control knobs in cab	Control knobs in cab	Control knobs in cab

Truck Mounted Sweepers

Customised solutions for efficiently and professionally cleaning public and private areas Recognised as the world standard for this class of cleaning vehicle, the wide range of truck-mounted sweepers delivers extremely strong suction and cleaning performance. Robust construction using premium quality materials ensures a long service life and maximum operational efficiency, cost-effectiveness and uptime. Bucher Municipal truck-mounted sweepers are extremely easy to use and maintain. The tried-and-tested solution for every application. Impressively low noise levels are another feature making them especially suited to urban cleaning.

Outstanding performance for all applications The Bucher Municipal truck-mounted sweepers are available with fully hydrostatic or semi-hydrostatic drives. The large stainless steel water tank and high-capacity fuel tank ensure long service periods even under the toughest conditions. The advanced brush system guarantees perfect cleaning right up to the kerb and even in those awkward corners of locations which are difficult to access such as parking bays.

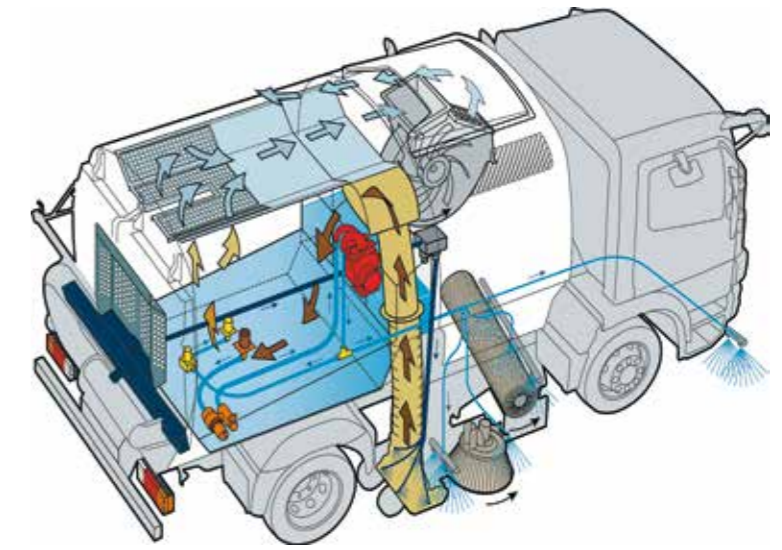
Cost-effective and comfortable Innovation, quality, performance and a long service life: These are the design criteria employed when developing and building the tried-and-trusted Bucher Municipal truck-mounted sweepers. Their reliable components made from high-quality materials ensure high efficiency and availability and low maintenance requirements. Bucher Municipal truck-mounted sweepers are equipped with low-emission chassis and auxiliary engines. Needless to say, they comply with all applicable environmental regulations. In addition, our continuous product improvement plans already include measures to ensure compliance with future noise and emission requirements. The focus is on driver comfort. Bucher Municipal's truck-mounted sweepers are also designed around the needs of the operator to provide comfort and eliminate fatigue, even over long working periods. A comprehensive range of optional equipment ensures the maximum flexibility to make a Bucher Municipal truck-mounted sweeper a worthwhile investment for maximum efficiency and cost-effectiveness in daily use.

The innovative solution for heavy-duty service is available in nine variants:

- CityFant 5000
- CityFant 5000 hydrostatic
- CityFant 6000
- CityFant 6000 hydrostatic
- CityFant 6000 semi-hydrostatic
- CityFant 6000, with demountable sweeper body
- OptiFant 8000
- OptiFant 8000 hydrostatic
- OptiFant 8000, with demountable sweeper body

Functional diagram Truck Mounted Sweepers

This functional diagram shows the air flow from the suction nozzle through the hopper and out through the exhaust duct on the hopper roof. The water flow for the low-pressure system is also shown.



Full standard equipment



PSS – a Bucher Municipal exclusive The Programmable Sweeping System (PSS) control unit is mounted centrally. Controls are arranged ergonomically and are clear and easy to understand.

Large water tank (2,150-litres) An extra large 2150 litre water tank provides an ample supply of water, considerably extending on-station times.

Powerful power pack unit The powerful low-emission engine with a hydraulically driven fan forms a compact and efficient power unit. This is a tried-and-tested unit complying with all exhaust emission standards.

Rapid hopper emptying The wide opening angle of the hopper door ensures that the swept material can be completely discharged quickly.



Strong suction performance The above-average suction power makes this vehicle particularly suitable for dealing with very dirty areas.

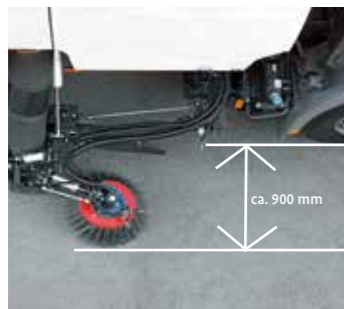
Hopper interior The inside of the hopper has been constructed to ensure that no dirt deposits can remain trapped inside. This feature ensures complete, perfect emptying.

Protected locker for system controls A protected locker housing the pneumatic and electronic system controls ensures full control functionality in the most extreme conditions.

Data entry Operating data required for recording costs, fleet management and billing can be downloaded to a USB stick in .csv format.

Comprehensive range of accessories for all Truck Mounted Sweepers

A range of optionals is available – contact us for more information.



Telescopic pick-up unit The telescopic pick-up unit can be extended by an additional 250 millimetres to obtain the best cleaning results.



Camera system Up to four cameras can be installed. Camera views are displayed on a colour screen and improve visibility when reversing and thus guarantee increased road safety.



Front-mounted brush unit This unit is designed for effective sweeping in corners and hard-to-reach areas. It can also be fitted with weed brushes and a variety of other front-mounted rotary brushes.



Additional water tank A 1,000- or 2,000 litre additional water tank can be installed behind the driver's cab to maximise the service times.



High-pressure washing system 30 l/min @ 100 bar The compact hose reel with a hand lance is ready for use within seconds, for cleaning streets, bus shelters, walls, stairs or for washing down the machine after a hard day's work.



Axle load display for chassis with air suspension A warning light on the control panel indicates when the maximum permitted rear axle load is reached.



Four-inch gate valve with Storz coupling This is used to discharge dirty water.



Manual water valves in the driver's cab The amount of water required can be controlled from the adjustable valves in the driver's cab.



Hydrostatic drive system For chassis over 16 tonnes a hydrostatic drive system with trusted components from Sauer-Danfoss and Omsi is available as an option.



Hydraulic suction hose boom For cleaning catch basins and waste containers and removing piles of leaves.



Water jet package for perfect fine dust (PM10) suppression The reduction of fine dust emissions was assessed in the top category in the fine dust test for municipal vehicles by EUnited.



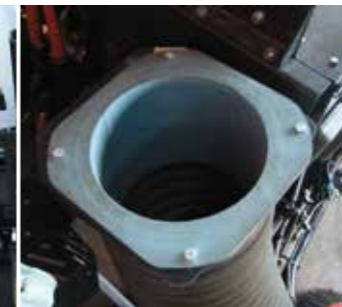
Pneumatically operated large hopper flap to the right / left Large items such as PET and glass bottles are picked up without difficulty.



Soundproofing kit Noise emissions are reduced to 99 db (A) thanks to comprehensive noise reduction measures.



Fan flush unit The inside of the fan can be easily flushed using the spray nozzle on the fan housing.



Coated suction nozzle A special coating on the suction nozzle prevents excessive wear.



Auxiliary engine Tier 4 Final The ecological Ecomax auxiliary engines from JCB comply with the latest emissions regulations.



Low-pressure spray bars Low-pressure spray bars under the front bumper improve cleaning efficiency.



Demountable system for CityFant 6000 and OptiFant 8000 The sweeper body can simply be demounted and the truck chassis used for other purposes.



Stainless steel hopper The hopper can be lined with special stainless steel providing protection against corrosive swept material.



High-pressure washing system 30 l/min @ 100 bar The nozzle bar on the wide sweep brush and suction nozzle provides perfect cleaning performance even under difficult conditions.



Water recycling With water recycling, the water held in the swept material is separated out by screens on the hopper door and sent back to the suction nozzle.



Swept material pick-up on both sides at the same time For a maximum sweeping path and area coverage.



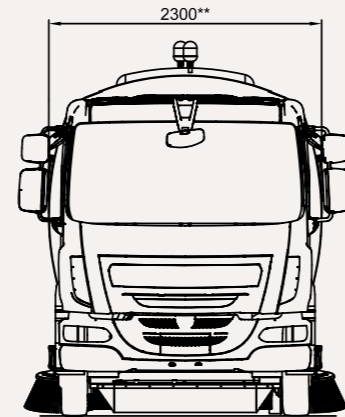
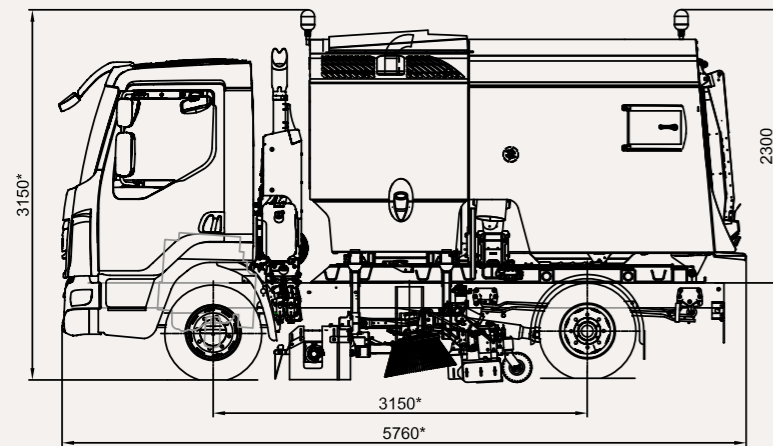
High-pressure washing system The high-pressure washer 120 l/min @ 160 bar solves serious pollution and can be supplemented with various nozzle strips.



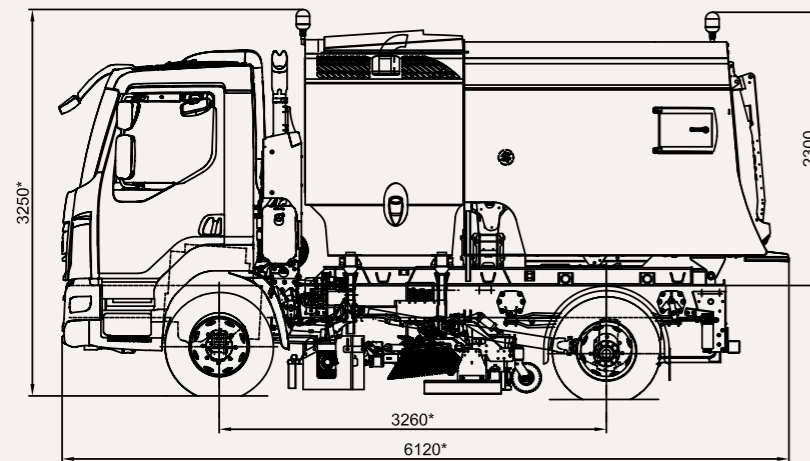
Warranty extension A warranty extension of up to three years provides comprehensive protection for the sweeper.

Dimensions of Truck Mounted Sweepers

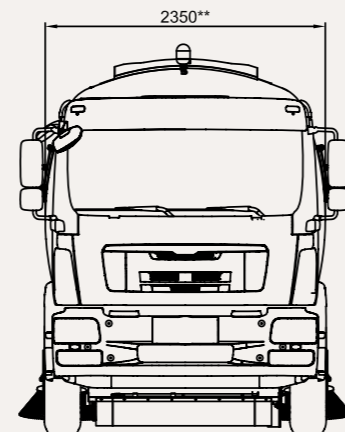
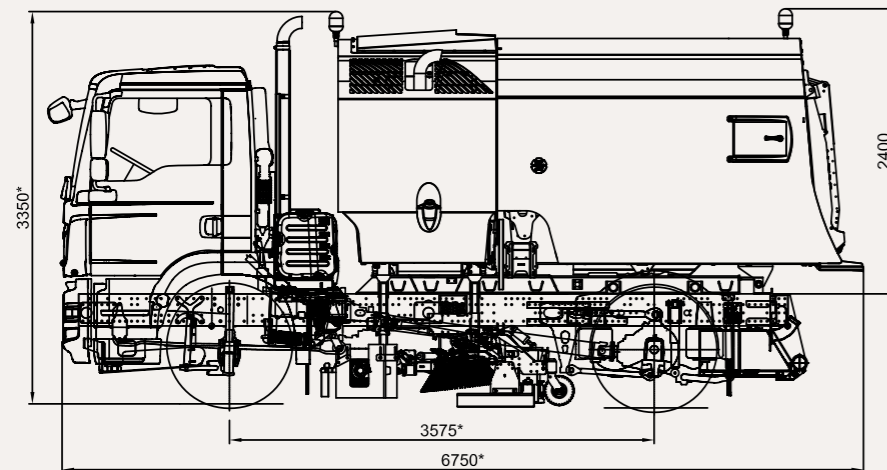
CityFant 5000



CityFant 6000



OptiFant 8000



Overview of Truck Mounted Sweepers

Auxiliary engine aggregate	CityFant 5000	CityFant 6000	OptiFant 8000
Stage 3 A	John Deere 63 kW	John Deere 63 kW / 86 kW	John Deere 86 kW
Stage 3 B	-	John Deere 86 kW	John Deere 86 kW
Stage 4 (Tier)	JCB 55 kW	JCB 55 kW / 93 kW	JCB 93 kW

Alternative drives

Semi-hydrostatic	-	CityFant 6000 SH	-
Hydrostatic	CityFant 5000 H	CityFant 6000 H	OptiFant 8000 H

Hopper

Hopper voided volume **	5.4 m ³	6.5 m ³	8 m ³
Water tank	1600 l	1900 l	2150 l / 4150 l
Diesel fuel tank	150 l	150 l	150 l
Discharge angle	55°	55°	55°
Door opening angle	120°	120°	120°

Sweeping and suction unit

Width of suction nozzle	600 mm	600 mm	600 mm
Channel brush	Ø 700 mm	Ø 700 mm (optional Ø 750 mm)	Ø 700 mm (optional Ø 750 mm)
Width of roller brush	1500 mm	1500 mm	1500 mm
Sweeping path of suction nozzle and channel brush	1170 mm	1170 mm	1170 mm
Sweeping path with roller brush	2300 mm	2300 mm	2300 mm
Sweeping path for double-sided pick-up *	3900 mm	3900 mm	3900 mm

Control units

<i>Central control panel</i> Auxiliary engine RPM, side brush speed, roller brush speed (optional), operating hours, fuel tank level, water tank level, coolant temperature display, auxiliary engine, status display of sweeping functions	Standard	Standard	Standard
<i>Control panel on the driver's door</i> Channel brush, channel brush speed control, roller brush, suction nozzle, work pause / memory function, boost function, coarse dirt pick-up flap (optional), sweeping side change, auxiliary engine RPM control Joystick function Coarse dirt pick-up (tilt suction nozzle) Retract sweeper units (optional)	Standard	Standard	Standard
<i>Remote control</i> Open / close hopper door Raise / lower hopper Release safety prop	Standard	Standard	Standard

Chassis

GVW	> 10 t	> 14 t	> 17 t
Motor output with auxiliary engine	> 125 kW	> 125 kW	> 175 kW
Motor output with alternative drive	> 130 kW	> 176 kW	> 200 kW
Wheelbase *	≥ 3150 mm	≥ 3260 mm	≥ 3575 mm

Ambient temperatures

Ready for operation at ambient temperatures of	+ 49° C	+ 49° C	+ 49° C
Cold start capability	- 20° C	- 20° C	- 20° C

* Dependent on chassis and/or option selected

** All Bucher Municipal Hopper Capacities are measured in accordance with European Standard EN 15429

* Dependent on chassis selected
** Hopper width without side hatch

Bucher Municipal AG

Murzlenstrasse 80
CH-8166 Niederweningen
Tel. +41 44 857 22 11
Fax +41 44 857 24 10
sweepers@buchermunicipal.com
www.buchermunicipal.com/sweepers

Bucher Municipal GmbH

Schörlingstrasse 3
DE-30453 Hannover
Tel. +49 511 214 90
Fax +49 511 214 9 - 115
sweepers.de@buchermunicipal.com
www.buchermunicipal.com/sweepers

Bucher Municipal Ltd.

Sihwha Industrial Complex
3Ma 819Ho, Chungwang-Dong
Siheung-City, Kyunggi-Do
Korea 429-450
Tel. +82 31 498 89 61-3
Fax +82 31 498 89 85
info@buchermunicipal.co.kr
www.buchermunicipal.co.kr

www.buchermunicipal.com/sweepers

version 01_03/2015

Your Bucher Municipal contract partner:



Bucher
Municipal
e-shop

